
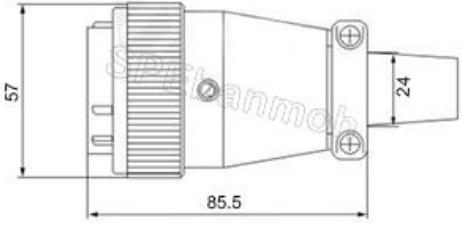
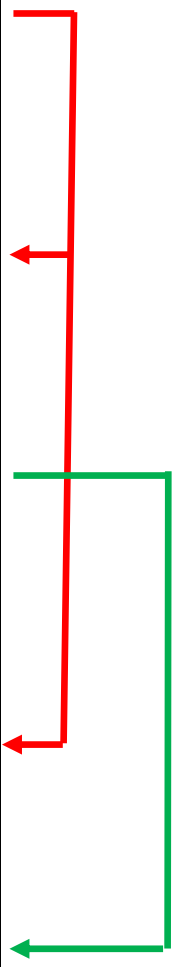

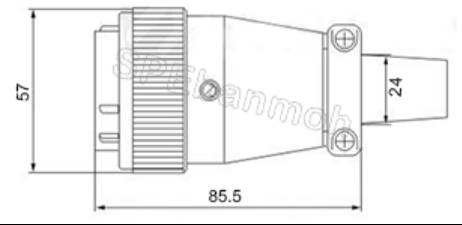

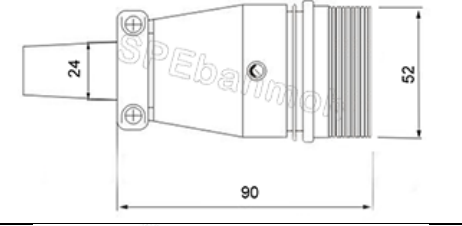

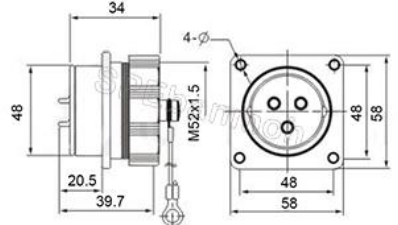

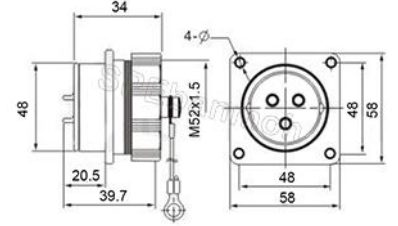


# WS48 Metal Connector

P/N	Product Figure	Dimension	Matching
TQM			
ZQF			
TQF			
ZZF			
ZZM			

WS48、WF48、WY48	5	7	20	27	38	42
Male contact face view						
Rated current (A)	100A	50A	25A	10A、25A	10A、25A	10A
Contact diameter	∅ 5.5X5	∅ 3.5X7	∅ 2.5X20	∅ 1.5X26 ∅ 2.5X1	∅ 1.5X33 ∅ 2.5X5	∅ 1.5X42
Rated voltage (AC.V)	500V	500V	500V	500V	500V	500V
Test voltage(AC.V) 1 min	1500V	1500V	1500V	1500V	1500V	1500V
Contact resistance mΩ	0.3	0.5	1	2.5、1	2.5、1	2.5
Insulation resistance MΩ	2000	2000	2000	2000	2000	2000
Wire size mm <sup>2</sup> /AWG	≤16/5	≤6/9	≤2.5/13	≤2/14 ≤2.5/13	≤2/14 ≤2.5/13	≤2/14